

The TFX-03 is the ultra small ceramic SMD tuning fork crystal. Ceramic package and metal lid assures extreme accuracy and high reliability by EBS (Electron Beam Sealing). The micro-miniature size is suitable for time base applications operating from a 32.768kHz reference frequency.

#### □ FEATURES

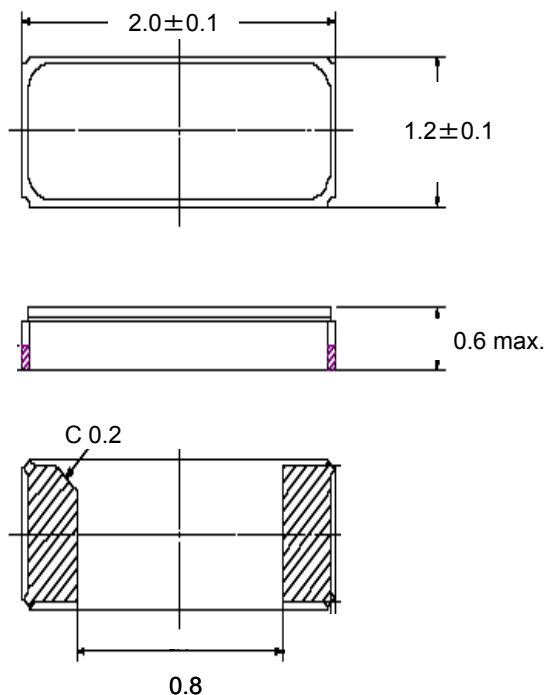
- Ultra miniature package, 2.0 x 1.2 x 0.6 mm max.
- Rugged, resistance to shock and vibration.
- Ideally suited for automated pick-and-place assembly environment.
- Complied with RoHS / PB Free.

#### □ STANDARD SPECIFICATIONS

Part Number	TFX-03
Dimension	2.0 x 1.2 x 0.6
Nominal Frequency at 25°C	32.768 kHz
Frequency Tolerance	±20 ppm max. @ 25°C (NOTE)
Turnover Temperature	25°C ± 5°C
Temperature Characteristics	-0.03 ±0.01 ppm / °C <sup>2</sup> Typical
Load Capacitance	12.5 pF (NOTE)
Series Resistance	90 kΩ max. @ 0.1μW drive level
Motional Capacitance	7.0 fF typ.
Drive Level	0.5μW max.
Aging	±5 ppm per year
Operating Temperature Range	-40 to +85°C
Storage Temperature Range	-55 to +125°C

NOTE: Please consult us for tight tolerance and different load capacitance.

#### □ OUTLINE DRAWINGS Dimensions in mm. Do not scale.



#### □ SUGGESTED SOLDER PAD

