



LA800 SUPER LOOP ANTENNA 10kHz – 500MHz



LA800 is AOR's new (receive only) **outdoor** shielded loop antenna for reception between 10kHz and 500MHz, divided into 6 bands. Loop element diameter: 80cm. A shielded loop antenna has the advantage, over non shielded ones, to be very robust against local noise from electrical devices.

5 band selectable between 150kHz and 30MHz, precisely tunable for best receiving experience. Sharp alignment characteristics by electronic tuning. Shift the aligning point slightly to attenuate unwanted signals while amplifying the wanted signal.

A relay system is used for band switching, providing excellent isolation characteristics. The relay is efficiently placed inside the loop element, while you can operate it through the control box via the control cable. Exceptional 20dB gain thanks to built-in low noise amplifier.

Remote tuning – The supplied 10m control and coaxial cables, separating the antenna from the control box, allow to conveniently operate band switching and fine tuning controls placed on the control box.

SPECIFICATIONS

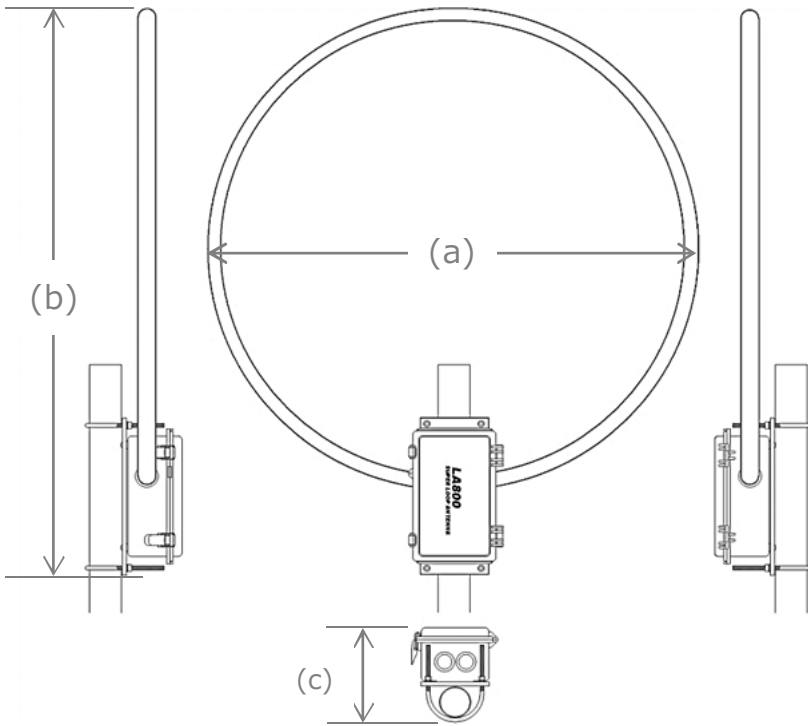
LA800 Super Loop Antenna				
Loop size	Diameter: 780mm (to the pipe center)	Sizes (mm), projections included	Loop element	800(W)x970(H)x84(D)
Loop type	Aluminum pipe: 20mm (2mm thick)		Control box	120(W)x38(H)x101(D)
Frequency range	10kHz ~ 500MHz	Weight	Loop element	Approx. 1.4kg (Excluding mount U-bolts)
Aligned range	150kHz ~ 30MHz(5 band selectable)		Control box	Approx. 240g
Unaligned range	10kHz ~ 150kHz, 30MHz ~ 500MHz	Supported mount mast	30~60mm	
Gain	20dB min.	Supplied accessories	AC power supply	
Operating temperature	-10°C ~ +60°C		Control cable (LAN type) 10m	
Power requirements	12 ~ 16V DC		BNC (F)/BNC (F) RG-58U coaxial cable 10m	
Power consumption	Approx. 14mA~100mA (band dependent) (figures with supplied AC adapter)		Two U-bolts for mast mount	
Impedance	50 Ohm		Printed user manual	

The loop element's electronic circuitry is housed in a ABS plastic box, water and dust proof to IP65 standard. The control and coaxial cables enter the plastic box through a rubber gasket.

DIMENSIONS

Assembled dimensions (mm)

Approx. 800(a) x 970(b) x 120(c) - in the case of a 33mm diameter mount mast



OPTIONAL ACCESSORIES

MC-600 Impedance matching transformer

Passive impedance matching transformer interface which allows your LA800 to be connected to any antique receiver with a 600Ω antenna terminal. Supported frequency range: 10kHz to 30MHz. MC-600 has the same isolation feature than the GT-1 accessory described below.



GT-1 Galvanic isolation transformer

To be connected between the receiver and the LA800 antenna. Does greatly reduce local noise by breaking the ground loop effect between antenna and receiver. Supported frequency range: 40kHz to 30MHz



MOUNTING

LA800 should be mounted on a mast, by using the supplied U-bolts. The mount mast is NOT supplied by AOR. Antenna masts are typically sold at home centers.

Product specifications and design subject to change without prior notice.



AOR, LTD.
2-6-4 Misuji, Taito-ku, Tokyo 111-0055, Japan
Tel: +81-3-3865-1695 Fax: +81-3-3865-1697
www.aorja.com